

PVP3500 & PVP2500

PVP Starinverter

EXPANDED DC OPERATING RANGE



Introducing the PVP2500 and PVP3500, the exciting new additions to the family of PVP inverters. Based on PV Powered's second generation inverter technology demonstrated in the PVP5200, these inverters offer field-proven reliability and are now compatible with lower voltage modules.

Among the many exciting innovations in this new series, the availability of the Starlink™ web-based performance monitoring system will allow the installer and the homeowner to remotely track the output of their inverter to ensure maximum performance. Coupled with PV Powered's comprehensive 10-year warranty, these advancements allow the Starinverter series to deliver on reliability, efficiency, and lowest cost of ownership.

FEATURES

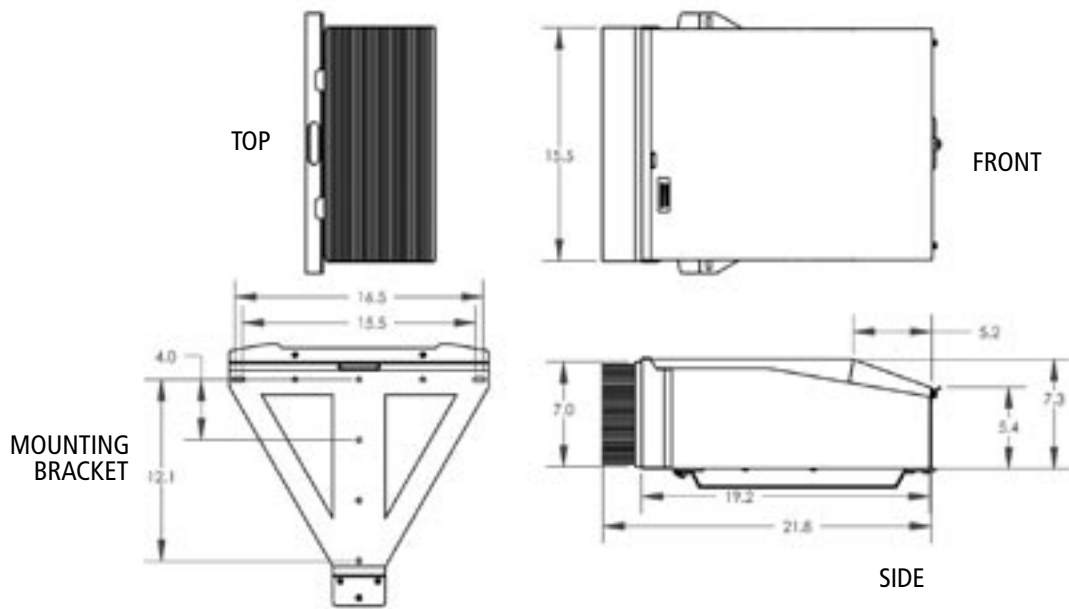
- **Expanded DC voltage operating range**
- **Now compatible with lower voltage modules**
- **Proprietary magnetics for increased efficiency**
- **No power de-rating – requires no fan**
- **Highest CEC weighted efficiency in power class**
- **Field-proven reliability – 10-year warranty**
- **Easy-to-read vacuum fluorescent display**
- **UL 50, aluminum enclosure (NEMA 3R)**
- **Aesthetically pleasing design blends well with any exterior**

150 SW Scalehouse Loop
Bend OR 97702

1-541-312-3832
WWW.PVPOWERED.COM



DIMENSIONS



POWER CHARACTERISTICS

MODEL	PVP3500	PVP2500
Continuous Output Power	3500W	2500W
Weighted Efficiency	95.5%	94.5%
Maximum System Voltage	500V	500V
DC Input Range	200V - 500V	140V - 500V
DC Operating Voltage Range	200V - 450V	140V - 450V
Nominal AC Voltage	240V	240V
Normal Output Frequency	60Hz	60Hz
Operating AC Voltage Range	214V - 261V	214V - 261V
Operating Frequency Range	59.3Hz - 60.5Hz	59.3Hz - 60.5Hz
Maximum DC Operating Current	18A	20A
Maximum Continuous Output AC Current	17A	12A
Maximum Output Fault Current (AC)	18A	14A
Output Overcurrent Protection	20A	20A
FCC Class B Compliant*	Yes	Yes
DC ISC Input	26A	26A

*Pending test results

CONSTRUCTION, ENVIRONMENT & CERTIFICATIONS

MODEL	PVP3500	PVP2500
Enclosure	Aluminum	Aluminum
Dimensions (W x D x H)	15" x 7.5" x 21.75"	15" x 7.5" x 21.75"
Weight	85 Pounds	70 Pounds
Cooling	Natural Convection	Natural Convection
Relative Humidity	0% to 100% Condensing	0% to 100% Condensing
Safety	UL 1741, IEEE 519 IEEE929, NEC 690	UL 1741, IEEE 519 IEEE929, NEC 690

